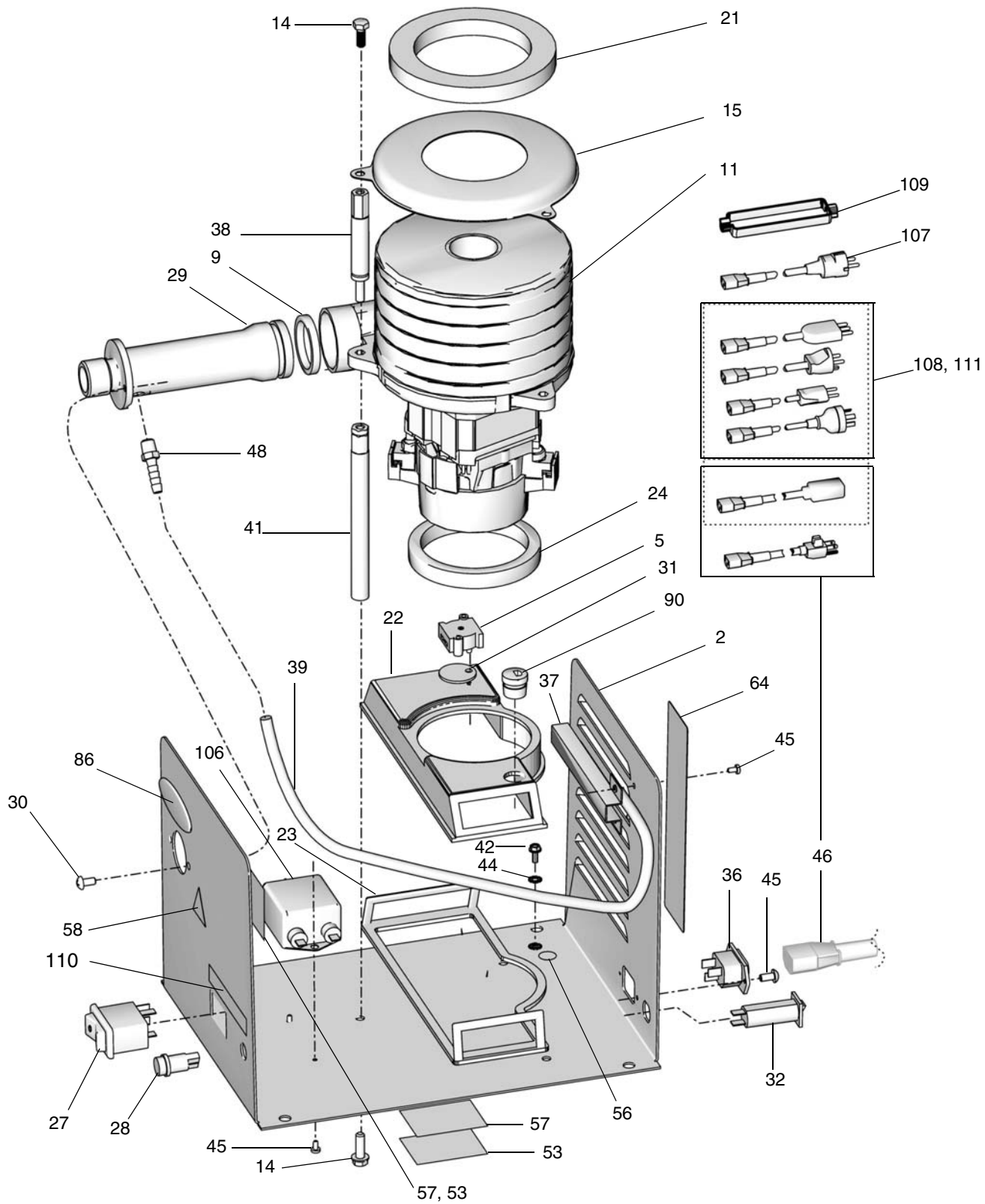


Ref	Part	Description	Qty	Ref	Part	Description	Qty
1	277934	BOX, HVLP	1	61	15V923	PLUG, inlet	1
3	24B055	COVER, HVLP, includes 6	1	62 ▲	15W100	LABEL, safety	1
4	15V791	HANDLE	1	63 ▲	15W223	LABEL, safety	1
6	15V771	LID, accessory	1	77	15W359	SCREW, mach, hex, washer hd	8
8	15V926	LATCH	2	87	15W635	LABEL, FinishPro, HVLP	1
13	257159	HOSE, air, 30 ft, black	1	88		LABEL, FinishPro, HVLP	
16	240273	FILTER, main	1		15W636	LABEL, FinishPro, HVLP 7.0	1
17	15W794	RETAINER, filter	1		15W637	LABEL, FinishPro, HVLP 9.0	1
18	15W897	SCREW, captive	4		15W638	LABEL, FinishPro, HVLP 9.5	1
19	15W217	GASKET, filter	2	89	257161	HOSE, 4 ft, FinishPro 9.5	1
20	15W909	FILTER, foam	1	100	15V927	HINGE	2
25	113817	BUMPER	4	101	117317	SCREW, plastite, pan hd	2
30	15W505	SCREW, mach, phillips pan hd	2	102	15X227	SCREW, cap, hex hd	2
33	256855	GUN, HVLP, with cup	1	103	102040	NUT, lock, hex	2
34	114271	STRAP, retaining	1	104	116234	BOTTLE	1
35	15V862	HOSE, rack	1	105	M70402	QUICK DISCONNECT	1
49		VALVE, air control					
		FinishPro 7.0 (not included)					
	240065	FinishPro 9.0	1				
	240065	FinishPro 9.5	1				

▲ Extra Danger and Warning labels are available for free.



Ref	Part	Description	Qty	Ref	Part	Description	Qty
2	257066	PLATE, base, turbine, painted	1		15W148	FinishPro 7.0	3
5	114279	SENSOR, pressure	1		15W149	FinishPro 9.0	3
9	156698	O-RING	1		15W150	FinishPro 9.5	3
11		TURBINE*		39	192810	HOSE, air	1
	15Y812	FinishPro 7.0, 3-stage, 120V	1	41	192780	SPACER, turbine	3
	15Y813	FinishPro 9.0, 4-stage, 120V	1	42	111593	SCREW, grounding	1
	15Y814	FinishPro 9.5, 5-stage, 120V	1	44	102063	WASHER, lock, ext	1
	15Y815	FinishPro 7.0, 3-stage, 240V	1	45		SCREW, mach, torx pan hd	
	15Y816	FinishPro 9.0, 4-stage, 240V	1		15W998	120V	4
	15Y817	FinishPro 9.5, 5-stage, 240V	1		15W998	240V	6
14	114670	SCREW, cap, hex hd	6	46		CORD, power	
15	194094	PLATE, turbine	1		15W126	USA, 6 ft. 15A, 120V	1
21		GASKET, turbine			116281	Euro, 2 m, 8A, 240V	1
	15W153	FinishPro 7.0	1	48	114287	FITTING, barbed	1
	15W152	FinishPro 9.0	1	56	186620	LABEL, ground	1
	192788	FinishPro 9.5	1	58 ▲	15K616	LABEL, brand, hot surface	1
22	15W274	DUCT, turbine	1	64 ▲	15W224	LABEL, safety	1
23	192846	GASKET, DUCT	1	86	15W640	LABEL, brand, TurboForce	1
24	192845	GASKET, DUCT	1	90	114689	BUSHING, strain relief	1
27	114293	SWITCH, rocker	1	106	116168	FILTER, suppression, EMI, 240V	1
28		LIGHT, indicator		107	242001	CORDSET, adapter, Europe	1
	114280	120V	1	108	287121	CORDSET, adapter, 220V, global,	1
	114286	240V	1			includes 108a through 108d	
29	15W272	FITTING, outlet	1	108a		CORDSET, adapter, Italy	1
30	114669	SCREW, mach, phillips pan hd	2	108b		CORDSET, adapter, Denmark	1
31	193059	GASKET, sensor	1	108c		CORDSET, adapter, Switzerland	1
32		CIRCUIT Breaker		109	195551	RETAINER, plug adapter	1
	114403	120V, 15A	1	110	15X254	SWITCH INDICATOR	1
	114290	240V, 8A	1	111	242005	CORDSET, adapter, Australia	1
36	114064	PLUG, INLET	1				
37	192905	PLATE, deflector	1				
38		SPACER, turbine					

* Cleaning Brush Kits 256953 and 256954 are also available.
▲ Extra Danger and Warning labels are available for free.